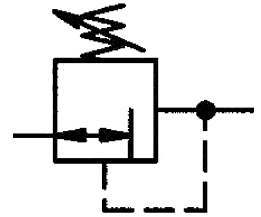


for water

Brass diaphragm pressure regulators with non-self-relieving design, specially for use with water. The regulator protects water installations against high system pressure, prevents pressure fluctuations and helps reduce water consumption. Undesirable flow noises are kept to a minimum.

Input pressure:	Max. 40 bar
Temperature range:	+5 °C to +90 °C
Medium:	Water, nitrogen and argon
Housing:	Brass
Sealant and diaphragms:	NBR
Regulation:	Wheel from plastic (G1/4, G 1/2), Rotary switch (G 3/4, G 1)
Reverse flow hysteresis:	~ 1 bar
Flow rate measurement:	At $P_1 = 7$ bar, $P_2 = 6$ bar and $\Delta p = 1$ bar



484.25 B



484.35 B



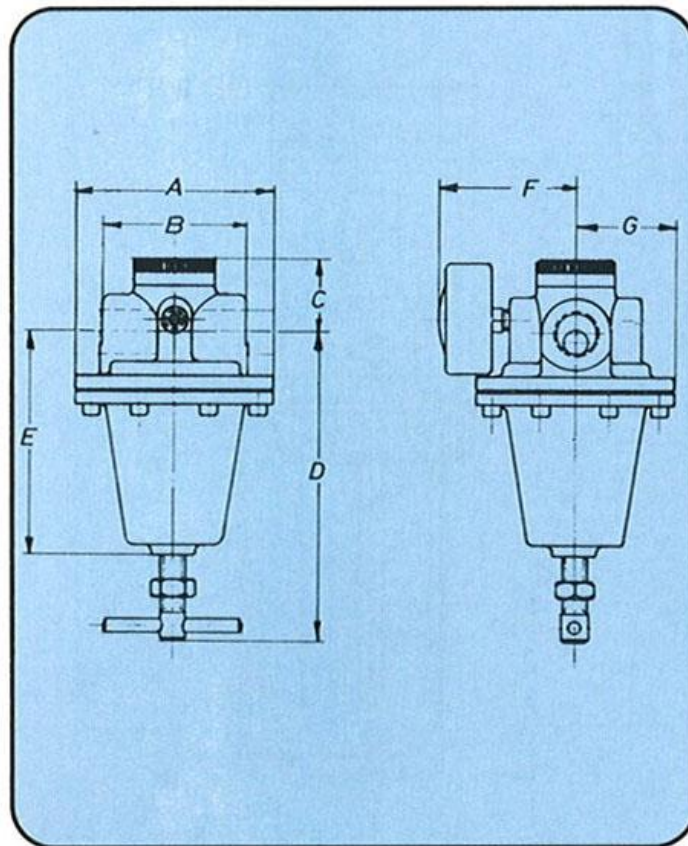
484.45 B



484.55 B

Pressure regulators for water, incl. pressure gauge

Type No.	Thread	Control range bar	Flow rate l/min	A mm	B mm	C mm	D mm	E mm	F mm	G mm	Nominal diameter	Nominal flow rate l/min	Weight in g
484.25 B	G 1/4	0.5 - 6	2.5	45.0	45.0	23.0	81.0	56.0	50.0	18.0	DN 6	2.5	390.0
484.25 C	G 1/4	0.5 - 10	2.5	45.0	45.0	23.0	81.0	56.0	50.0	18.0	DN 6	2.5	390.0
484.35 B	G 1/2	0.5 - 6	15.0	72.0	72.0	30.0	123.0	76.0	55.0	36.0	DN 12	15.0	1000.0
484.35 C	G 1/2	0.5 - 10	15.0	72.0	72.0	30.0	123.0	76.0	55.0	36.0	DN 12	15.0	1000.0
484.45 B	G 1	0.5 - 6	24.0	114.0	83.0	41.0	175.0	125.0	80.0	58.0	DN 20	24.0	3480.0
484.45 C	G 1	0.5 - 10	24.0	114.0	83.0	41.0	175.0	125.0	80.0	58.0	DN 20	24.0	3480.0
484.55 B	G 1 1/2	0.5 - 6	56.0	114.0	114.0	50.0	183.0	140.0	80.0	58.0	DN 25	56.0	5260.0
484.55 C	G 1 1/2	0.5 - 10	56.0	114.0	114.0	50.0	183.0	140.0	80.0	58.0	DN 25	56.0	5260.0



Accessories / spare parts for type 484.25

Article no.	Description
484.201	2 nuts M 20x1.5 and 2 washers
484.202	Fixing bracket with nut and washer
484.203	Sealing cone, complete
484.204	Diaphragm, complete
MS2521414	Double nipple G 1/4 male / G 1/4 male
MS251K1418	Reducing nipple G 1/4 male / G 1/8 female

Accessories / spare parts for type 484.35

Article no.	Description
484.301	2 nuts M 28x1.5 and 2 washers
484.302	Fixing bracket with nut and washer
484.303	Sealing cone, complete
484.304	Diaphragm, complete
MS2521212	Double nipple G 1/2 male / G 1/2 male
MS251K1238	Reducing nipple G 1/2 male / G 3/8 female

Accessories / spare parts for type 484.45

Article no.	Description
H 88	Fixing bracket with 2 screws
484.403	Sealing cone, complete
484.404	Diaphragm, complete
252.07/2	Double nipple G 1 male / G 1 male
MS251K134	Reducing nipple G 1 male / G 3/4 female

Accessories / spare parts for type 484.55

Article no.	Description
H 88	Fixing bracket with 2 screws
484.503	Sealing cone, complete
484.404	Diaphragm, complete
252.07/4	Double nipple G 1 1/2 male / G 1 1/2 male
251.12	Reducing nipple G 1 1/2 male / G 1 1/4 female

Article No.	Type No.
101307	484.25 B
101308	484.25 C
101309	484.35 B
101310	484.35 C
101311	484.45 B
101312	484.45 C
101313	484.55 B
101314	484.55 C
101315	484.201
101316	484.202
101317	484.203
101318	484.204
131756	MS2521414
134441	MS251K1418
101321	484.301
101155	484.302
101322	484.303
101323	484.304
131770	MS2521212
134446	MS251K1238
100914	H 88
101324	484.403
101325	484.404
100916	252.07/2
134451	MS251K134
100914	H 88
101326	484.503
101325	484.404
100920	252.07/4
100921	251.12